

# 800

## PlasmaPro® 800Plus

Large capacity open-loading process solutions  
for plasma etch and deposition

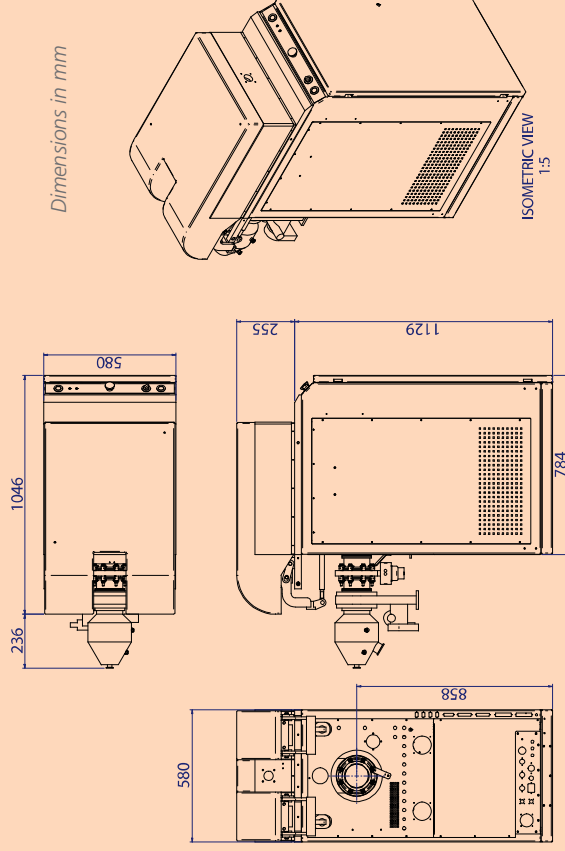


*The Business of Science®*



# Technical specifications

## Overall dimensions of the PlasmaPro 800Plus



### Oxford Instruments Plasma Technology

For more information please email:  
[plasma@oxinst.com](mailto:plasma@oxinst.com)

#### UK

Yatton  
Tel: +44 (0) 1934 837000

#### Germany

Wiesbaden  
Tel: +49 (0) 6122 937 161

#### Japan

Tokyo  
Tel: +81 3 5245 3261

#### PR China

Beijing  
Tel: +86 10 6518 8160/1/2

#### Shanghai

Tel: +86 21 6132 9688

#### Singapore

Tel: +65 6337 6848

#### Taiwan

Tel: +886 3 5788696

#### US, Canada & Latin America

Concord, MA  
TOLLFREE: +1 800 447 4717

[www.oxford-instruments.com](http://www.oxford-instruments.com)

## Worldwide Service and Support

Oxford Instruments is committed to supporting our customers' success. We recognise that this requires world class products complemented by world class support. Our global service force is backed by regional offices, offering rapid support wherever you are in the world.

We can provide:

- Tailored service agreements to meet your needs
- Comprehensive range of structured training courses
- Immediate access to genuine spare parts and accessories
- System upgrades and refurbishments



visit [www.oxford-instruments.com](http://www.oxford-instruments.com) for more information

This publication is the copyright of Oxford Instruments plc and provides outline information only, which (unless agreed by the company in writing) may not be used, applied or reproduced for any purpose or form part of any order or contract or regarded as the representation relating to the products or services concerned. Oxford Instruments' policy is one of continued improvement. The company reserves the right to alter, without notice the specification, design or conditions of supply of any product or service. Oxford Instruments acknowledges all trademarks and registrations. © Oxford Instruments plc, 2012. All rights reserved. Ref: OPT/800/2012/01



**OXFORD**  
INSTRUMENTS

*The Business of Science®*